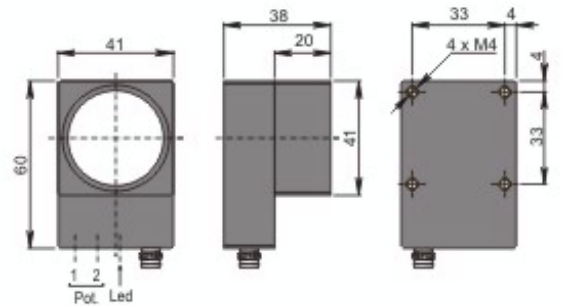




Part number: UPA000002 - Model: SUP-P500 PNP NO+NO H1



Dimension in mm

TECHNICAL CHARACTERISTICS

Power supply:	Direct current
Detection type:	Diffuse reflective
Working voltage:	15 ÷ 30 V
Detection range:	400 ÷ 5000 mm
Blind range:	0 ÷ 400mm
Hysteresis (Digital output):	80 mm@FSnom.
Transducer direction:	Radial
Output type:	Digital + Digital
Logic type (Digital output):	PNP
Function (Digital output):	NO
Resolution:	0.1%FS
Temperature error:	
Working frequency:	80 KHz
Max. switching speed:	2 Hz
Led indicator:	Led red/green
Max. output current (Digital output) :	100 mA
Switching time - Ton (Digital output):	700 ms@50%FS
Switching time - Toff (Digital output):	140 ms@50%FS
Absorption:	65 mA
Temperature limits:	0 ÷ +50 °C
Operating pressure range:	900 ÷ 1100 mBar
IP rating:	IP67
Housing material:	Polyamide glass-fiber reinforced
Mechanical characteristics:	41x60x38
Connection type:	H1 Connector
Weight:	105g



Part number: UPA000002 - Model: SUP-P500 PNP NO+NO H1

WIRING DIAGRAM

CONNECTION WITH H1 PLUG

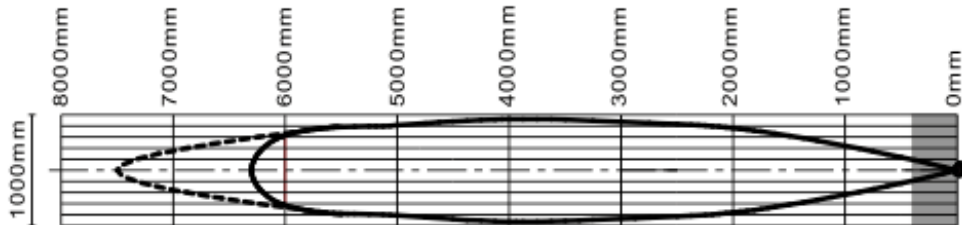


VIEW OF MALE CONNECTOR

- 1 = Brown / +
- 2 = White / output 2
- 3 = Blue / -
- 4 = Black / output 1

INSTRUCTIONS FOR CORRECT INSTALLATION

DETECTION RANGE



The detection beam of an ultrasonic sensor has the shape of a cone.
The cone of sensitivity can vary in function of the detected object. Two typical curves of the cone are shown in the graphic.
The cones of sensitivity of two different ultrasonic sensors with the same operating frequency must NEVER intersecate, or they do not work properly.