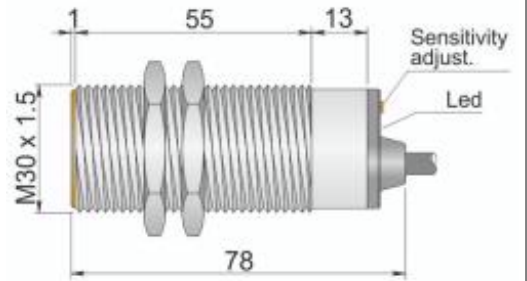




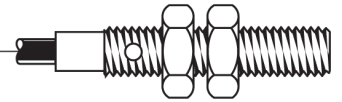
Part number: YCR000005 - Model: CRT30-R10 VB AD3 LC5



Dimension in mm

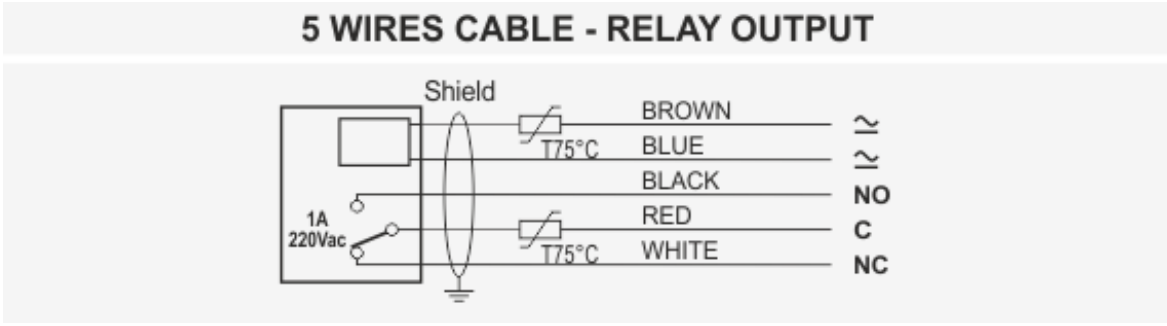
TECHNICAL CHARACTERISTICS

Working voltage:	18 ÷ 50 Vdc / 18 ÷ 240 Vac
Detectable rotation range (RPM):	High range (120 ÷ 3000 adjustable)
Swithing distance (Sn):	4 ÷ 6 mm with metallic plate >= 30x30x1
Delayed alarm activation time:	9 ÷ 15 sec
Response time:	0.5 ÷ 0.02 sec
Autoreset function - B:	Preset
Absorption:	< 20 mA @ relay ON
Output type:	Changeover relay
Max output current:	1A @ 240 Vac
Led indicator:	Present
Housing material:	Nickelled brass
Mechanical characteristics:	M30X1,5
Cable type:	5x0.35 PVC Shielded
IP rating:	IP 67
Weight:	240 g
Operating temperature range:	-25 ÷ +70 °C
Storage temperature range:	-25 ÷ +70 °C
Maximum surface temperature:	+85 °C
Limiting device of surface temperature:	Intervention at 75 ° C non-resettable
Explosive atmosphere type:	Air/Powder mixture
Equipment category:	3D
Installation area:	Zone 22
Protection method:	Protection by enclosure
Marking:	II 3D Ex tc IIIC T85°C Dc IP67 -25< Ta
Conforming standard:	EN60079-0 e EN60079-31



Part number: YCR000005 - Model: CRT30-R10 VB AD3 LC5

WIRING DIAGRAM



INSTRUCTIONS FOR CORRECT INSTALLATION

