



Part number: CAP000025 - Model: SC30P-A25NO/NC K



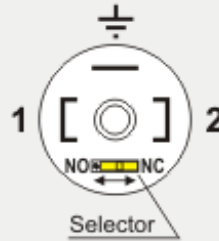
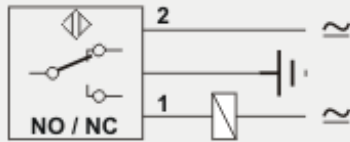
TECHNICAL CHARACTERISTICS	
Working voltage:	20 ÷ 250 Vac/dc
Output type:	AC/DC
Function:	NO/NC programmable
Actuation type:	Instantaneous
Sensing distance (mm):	0 ÷ 25 (adjustable)
Hysteresis (%Sn):	< = 20
Max. switching frequency:	10 Hz
Repeatability (%Sn):	< 10
Max. output current:	500 mA
Min. output current:	10 mA (minimum current for release)
Max peak current for 20msec:	1.5 A
Residual current:	< = 2 mA
Voltage drop:	< 6 V
Led indicator:	Yellow
Shielding:	Not embeddable
Mechanical characteristics:	M30x1.5
Housing material:	Plastic
Connection type:	K plug
Temperature limits:	-20 ÷ +70 °C
IP rating:	IP 65
Weight:	260 g



Part number: CAP000025 - Model: SC30P-A25NO/NC K

WIRING DIAGRAM

CONNECTION WITH K PLUG

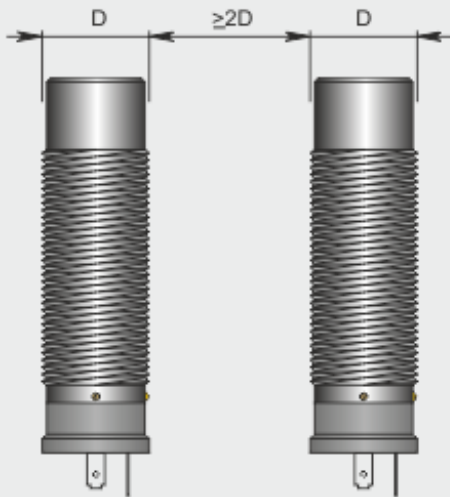


VIEW OF MALE CONNECTOR
1 / 2 = NO - NC Programmable

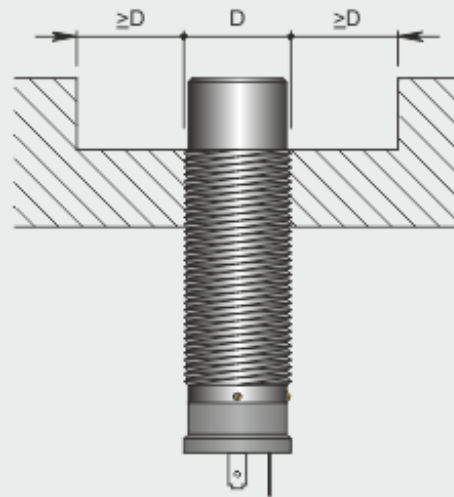
INSTRUCTIONS FOR CORRECT INSTALLATION

INSTRUCTIONS FOR CORRECT INSTALLATION

NOT EMBEDDABLE



Side by side mounting



Non flush mounting