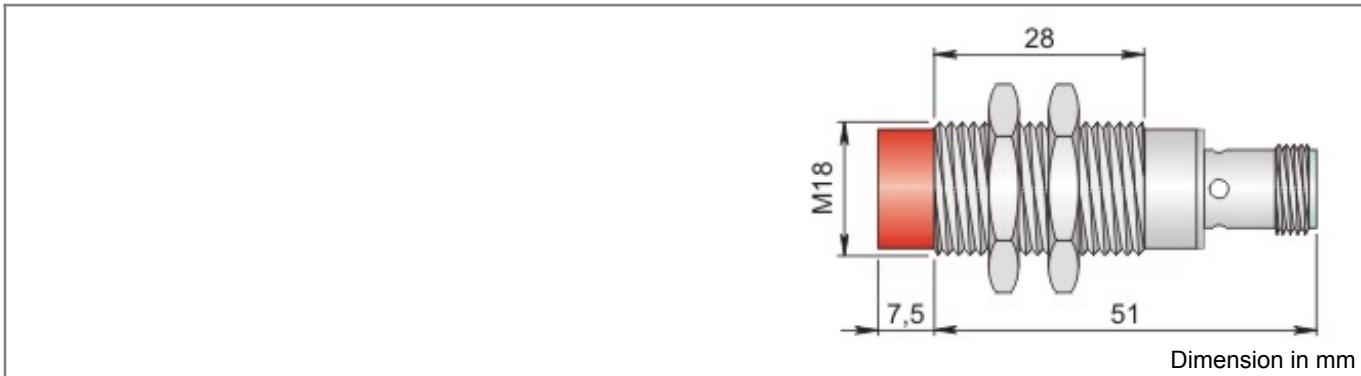
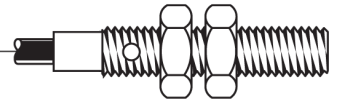




**Part number: I18000144 - Model: SI18-NE8 H**



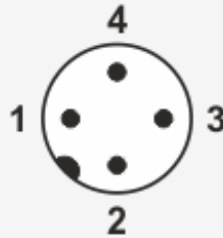
<b>TECHNICAL CHARACTERISTICS</b>	
Power supply:	Direct current
Working voltage:	5 ÷ 30 Vdc
Switching distance (mm):	8
Max switching frequency:	1000 Hz
Repeatability (%Sn):	< = 3
Absorption:	On < = 1 mA - Off >= 3 mA @ 8.2V
Temperature limits:	-25 ÷ +70 °C
IP rating:	Depending on connector
Housing material:	Nickelled brass
Mechanical characteristics:	M18x1
Connection type:	H plug
Weigth:	55 g



Part number: I18000144 - Model: SI18-NE8 H

## WIRING DIAGRAM

### CONNECTION WITH H PLUG



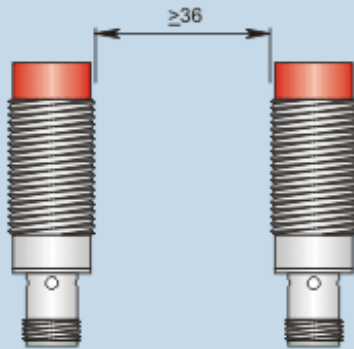
VIEW OF MALE CONNECTOR

1 = Brown / +  
2 = Blue / -

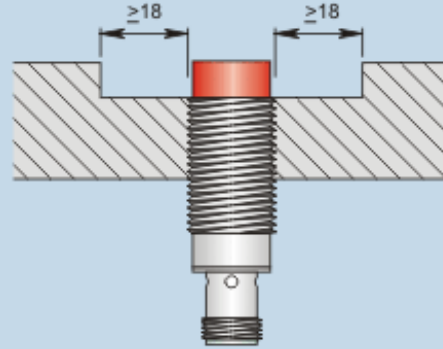
## INSTRUCTIONS FOR CORRECT INSTALLATION

### INSTRUCTIONS FOR CORRECT INSTALLATION

#### NOT EMBEDDABLE



Side by side mounting



Non flush mounting

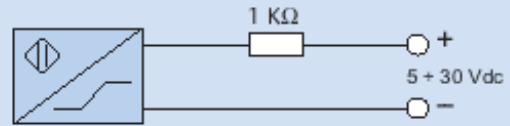
## WORKING PRINCIPLE



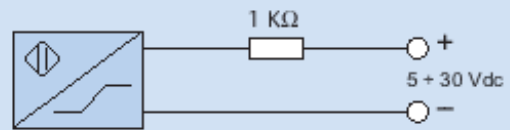
Metallic plate



In presence of metal  $I \leq 1 \text{ mA @ } 8.2 \text{ V}$



In absence of metal  $I \geq 3 \text{ mA @ } 8.2 \text{ V}$



The NAMUR sensors are electronic devices whose absorbed current varies in the presence of a metallic object. The difference between these sensors and traditional sensors is the absence of amplifier trigger stages.